

# KARANDIKAR LABORATORIES PVT LTD

**Branch Office :**

B-136, Ansa Indl. Estate,  
Saki-Vihar Road, Saki Naka  
Mumbai - 400 072  
Phone: (022) 2847 1395, Fax 2847 0126/ (0253) 236 1905  
Email : ajitk@bol.net.in.

**Branch Office:**

D 51, D Road, MIDC Satpur  
Nashik  
Pin : 422 007  
nasikcryo@sancharnet.in

**Laboratory :**

250, Main Road,  
Dahanu, Dist: Thane,  
PIN :401 601.  
(02528) 224344  
kalabcal@sancharnet.in

TEST REPORT NO : KLPL/DHN/06/08-37  
DATE : 18.08.2006.

**1.0 SCOPE**

1.1 NAME AND ADDRESS OF ORGANIZATION REQUESTING SERVICE : M/S Satguru Metal Industries  
: 137/5,Ashirwad Industrial Estate,  
: Ram Mandir Rd,Goregaon(W)  
Mumbai 400 104.

1.2 SERVICE REQUEST DETAILS Ref.Challan No.Verbal Request.  
Dated : 10.08.2006.

1.3 ITEM RECEIVED ON 11.08.2006.

1.4 PHYSICAL CONDITION OF ITEM : OK

**2.0 ITEM DETAILS**

Name : Simplex Head.  
Make : Satguru Metal Industries.  
Construction : Die Cast Aluminum.  
Drawing No : SMI / HTS / TCDH / 06  
Dated :01.08.2006.

3.0 SPECIFICATIONS FOR TEST : IS 13947 (Part 1):1993 IP 65

**4.0 EQUIPMENT USED :**

EQUIPMENT	ID.No.
Dust Chamber	K&A 047
Water Jet Apparatus.	K&A 115-05

**NOTE :** 1) This refers only to the particular item(s) submitted for testing.  
2) If necessary, this report shall be reproduced ONLY in full.



ITEMS : Simplex Head.	Report No: KLPL/DHN/06/08-37		
	Dated	Page	Of
	18.08.2006.	2	3

5) Procedure:

Ref Specification	Condition	Remarks
IS 13947 (Part 1):1993 CI # C 7.6	Exposure to Dust for 8 hr	Complied
	Observation for ingress of dust	Complied
IS 13947 (Part 1):1993 CI # C 8.5	Internal dia of nozzle: 6.3 Delivery rate : 12.5 l/min +/- 5% Water Pressure at Nozzle : 0.3 bar Test Duration: 3 min Distance between the nozzle and equipment: 3m	Complied
	Observation for ingress of water	Complied

6) Observations :

6.1) Ingress of Dust : NIL  
6.2) Ingress of Water : NIL

7) Conclusion :

**Name** : Simplex Head.  
**Make** : Satguru Metal Industries.  
**Construction** : Die Cast Aluminum.  
**Drawing No** : SMI / HTS / TCDH / 06  
Dated :01.08.2006.

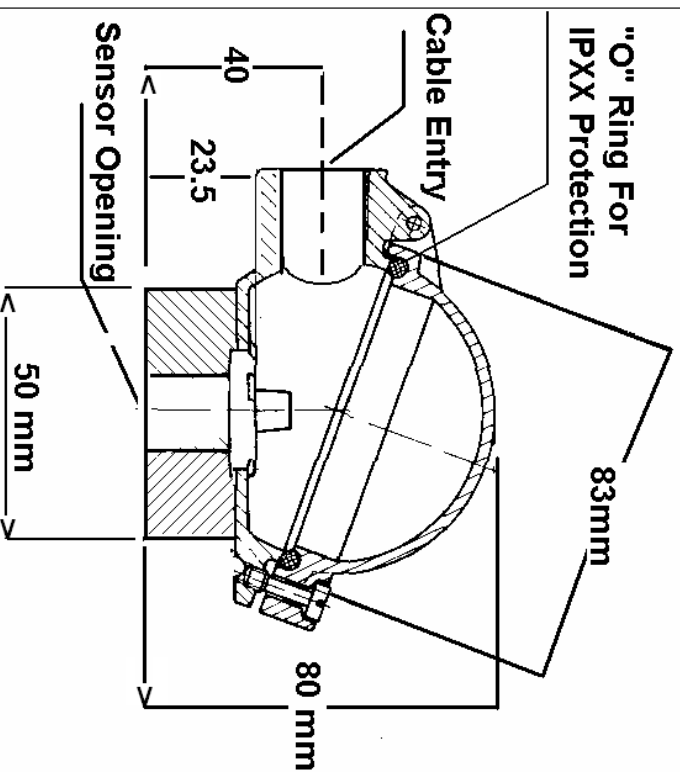
**Complies with the requirements of specifications in CI (3) i.e. IS 13947 ( Part 1 ) : 1993 IP 65**

For KARANDIKAR LABORATORIES PVT LTD

  
Authorized Signatory



## Hinge Type Simplex Head Protection : Weather Proof IP : 65



Test Report No. KLPL/DHN/06/08-37  
Date : 18/08/2006



### TECHNICAL DATA

TYPE	Simplex
CONSTRUCTION	Die Cast Aluminum
PROTECTION	IP: 66 (As Per IS: 13947-1993)
SENSOR OPENING	1/2 BSP/NPT, 3/4 BSP/NPT, 1" BSP/NPT OR Equivalent
CABLE ENTRY	3/4ET, 1/2BSP/NPT, 3/4 BSP/NPT OR Equivalent
FINISH	Powder Coated (Overall)
HARDWARE	M.S (Zinc Plated)
GASKET	"O" Ring (for IP Protection)
TOLERANCES	(+/- 2mm) on overall Dimensions
DRG NO	SMI / HTS / TCHD / 06 Date 01/08/2006.

Test Report No. KLPL/DHN/06/08-37  
Date : 18/08/2006

#### MANUFACTURED BY

Satguru Metal Industries  
137/5, Ashirwad Industrial Estate  
Ram Mandir Road, Goregaon (West)  
MUMBAI 400 104. (INDIA)  
Tel: (9122) 6592 9498 / 6703 6858.  
Fax: (9122) 6703 6858  
E-mail: [samigauto@hotmail.com](mailto:samigauto@hotmail.com)  
Website: [www.satgurumetal.com](http://www.satgurumetal.com)