

KARANDIKAR LABORATORIES PVT LTD

Branch Office :

B-136, Ansa Indl. Estate,
Saki-Vihar Road, Saki Naka
Mumbai - 400 072
Phone: (022) 2847 1395, Fax 2847 0126/ (0253) 236 1905
Email : aijt@bol.net.in.

Branch Office:

D 51, D Road, MIDC Satpur
Nashik
Pin : 422 007
nasikcryo@sancharnet.in

Laboratory :

250, Main Road,
Dahanu, Dist: Thane,
PIN :401 601.
(02528) 224344
kalabcal@sancharnet.in

TEST REPORT NO : KLPL/DHN/07/01
DATE : 19.01.2007.

1.0 SCOPE

1.1 NAME AND ADDRESS OF ORGANIZATION : M/S SATGURU METAL INDUSTRIES
: 137/5,Ashirwad Industrial Estate
REQUESTING SERVICE : Ram Mandir Road,
Goregaon (W)
Mumbai 400 104

1.2 SERVICE REQUEST DETAILS Ref.Challan No.NBC:001, Dated : 15.01.2007.

1.3 ITEM RECEIVED ON 17.01.2007.

1.4 PHYSICAL CONDITION OF ITEM : OK

2.0 ITEM DETAILS

Name : SIMPLEX HEAD.
Drawing No : SMI/137G/IP:67(S)/PRJ:07
Date : 10/01/2007.

3.0 SPECIFICATIONS FOR TEST : Weatherproofness Test.
Test as per IS 13947 (PART - 1)-1993 : IP 67.

4.0 EQUIPMENT USED :

EQUIPMENT	ID No
Dust Chamber	K&A 047
Water Immersion Tank.	K&A 118-05

NOTE : 1) This refers only to the particular item(s) submitted for testing.
2) If necessary, this report shall be reproduced ONLY in full.



ITEMS : SIMPLEX HEAD.	Report No: KLPL/DHN/07/01-11	
	Dated 19.01.2007.	Page 2
		Of 3

5) Procedure:

Ref Specification	Condition	Remarks
IS 13947 (Part 1):1993 CI # C 7.6	Exposure to Dust for 8 hr	Complied
	Observation for ingress of dust	Complied
IS 13947 (Part 1):1993 CI # C 8.7	Total immersion in water at ambient temperature Immersion Depth : 1000 mm below surface of water. Time duration : 30 minutes.	Complied
	Observation for ingress of water	Complied

6) Observations :

6.1) Ingress of Dust : NIL
6.2) Ingress of Water : NIL
6.3) Functional Check : OK

7) Conclusion :

Name : SIMPLEX HEAD.
Drawing No : SMI/137G/IP:67(S)/PRJ:07
Date : 10/01/2007.

Complies with the requirements of specifications in CI (3) i.e. IS 13947 (Part 1): 1993, IP 67

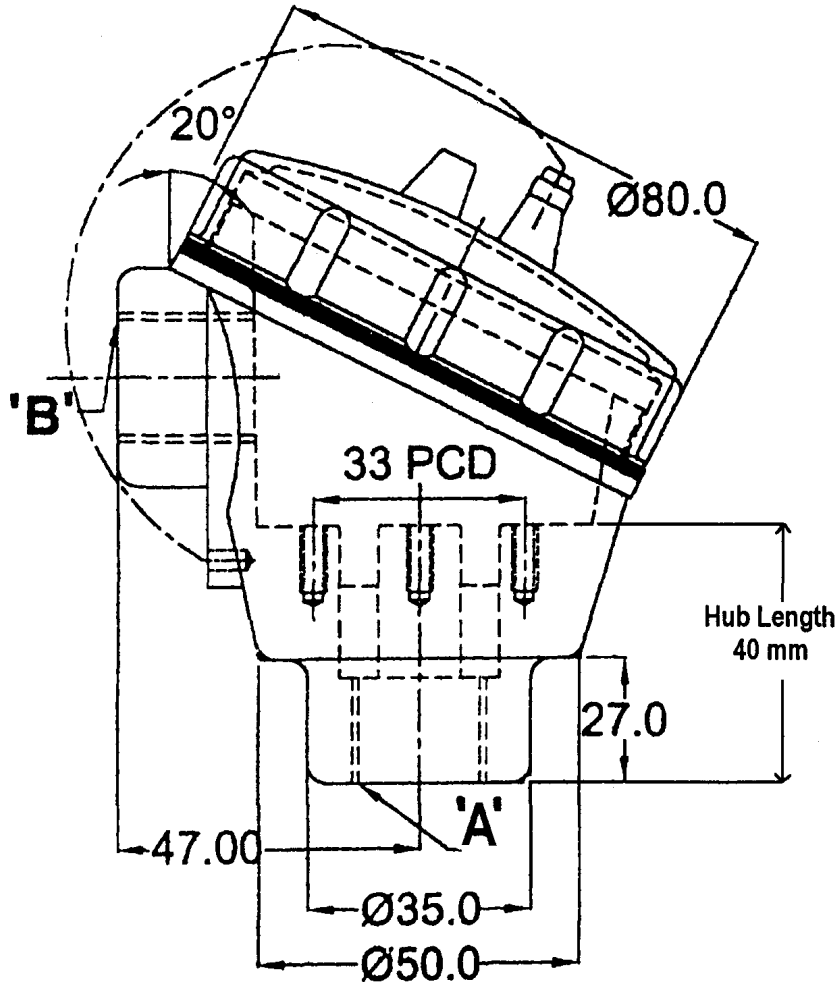
For KARANDIKAR LABORATORIES PVT LTD


Authorized Signatory



WEATHER PROOF (IP:67) KA : SIMPLEX HEAD

Report No. KLPL/DHN/07/01-11



TECHNICAL DATA

TYPE	Weather Proof Simplex
CONSTRUCTION	Die Cast Grade Aluminum Alloy
WARNING	Do Not Open When Energized
PROTECTION	IP: 67 (As per IS:12063 of 1987).
SENSOR OPENING (A)	½ BSP / NPT, ¾ BSP / NPT OR Equivalent
CABLE ENTRY (B)	¾ ET, ½ BSP / NPT, ¾ BSP / NPT OR Equivalent
FINISH	Powder Coated
CHAIN	Provided (SS chain optional)
HARDWARE	M.S (Zinc Plated)
GASKET	Endless Flat (Moulded Rubber)
TOLERANCES	(±2mm) on overall dimensions
DRG NO	SMI/137G/IP:67(S)/PRJ:07 Date: 10/01/2007.
Test Report No	KLPL/DHN/07/01-11 Dt: 19/01/2007

MANUFACTURED BY:
Satguru Metal Industries
137/5, Ashirwad Industrial Estate,
Ram Mandir Road, Goregaon (West)
MUMBAI 400 104. (INDIA)

